

SP 30 / SP 45 “CX AIRPORT” SERIES

The ball transfer units in solid steel with flange of the “CX AIRPORT” series are particularly suitable for airport handling systems, platforms for forwarders, deposits, harbours, etc. The housing is in turned steel, machined from bar. This version differs from the cargo version since it is provided with an inner cup where the balls roll, made of AISI 420 pressed stainless steel sheet, vacuum hardened. The inner cup allows a longer life of the ball transfer unit and a greater resistance to corrosion in strong conditions.

Main ball and small supporting balls are in stainless steel AISI 420 C.

The size “30” can be supplied either with 1 or with 5 drain holes on the bottom.

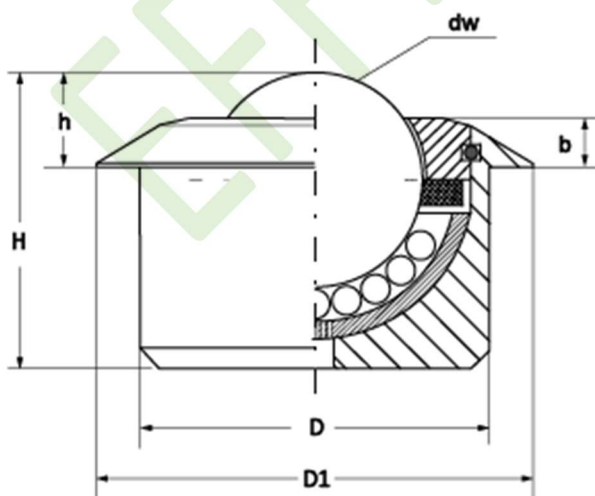
The size “45” has 1 drain hole on the bottom

The version is provided with a felt seal as a standard. On request it can be supplied without felt seal to allow a better smoothness.

TYPE	CODE	dw	D	D1	h	H	b	Load cap. (Kg.)	Weight Kg.	FLEECE
SP 30 CX CUSP.1 Hole	10.030.0026	30	45 ± 0,08	55	13,8 ± 0,3	36,8	8	210	0,350	Yes
SP 30 CX CUSP.5 Holes	10.030.0040	30	45 ± 0,08	55	13,8 ± 0,3	36,8	8	210	0,350	Yes
SP 30 CX 1 Hole	10.030.0044	30	45 ± 0,08	55	13,8 ± 0,3	36,8	7,5	210	0,350	Yes
SP 30 CX 5 Holes	10.030.0020	30	45 ± 0,08	55	13,8 ± 0,3	36,8	7,5	210	0,350	Yes
SP 45 CX CUSP.	10.045.0026	45	62 ± 0,095	75	19 ± 0,4	53,5	10	400	0,950	Yes
SP 45 CX	10.045.0013	45	62 ± 0,095	75	19 ± 0,4	53,5	10	400	0,950	Yes

TYPE	SPECIFICATION
C	Zinc-coated Balls in stainless steel AISI 420 C

SP 30 CX – SP 45 CX - CUSPIDE



SP 30 CX – SP 45 CX

